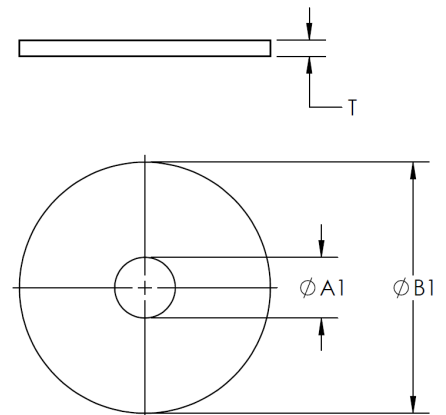


Part Number	Ø A	Ø B	Ø C	D	E	F
VAB1	0.391	1.31	0.75	0.485	0.360	1.25
VAB2	0.532	1.88	1.25	0.780	0.500	1.94
VAB3	0.657	2.55	1.50	0.900	0.750	2.43
VAB4	0.938	3.50	2.25	1.000	1.000	2.88
VAB5	1.063	4.88	2.50	1.250	1.000	3.38

**Table 1: VAB Bushing Dimensions**

Part Number	Ø A1	Ø B1	T
VAB1	0.406	1.625	0.125
VAB2	0.531	2.000	0.125
VAB3	0.657	2.810	0.188
VAB4	0.938	3.880	0.250
VAB5	1.063	5.250	0.375

**Table 2: Snubbing Washer Dimensions**



Part Number	Installation Through
VAB1	0.75
VAB2	1.25
VAB3	1.50
VAB4	2.25
VAB5	2.50

**Table 3: Installation Hole Dimensions**

See Next Page for Performance Table.

**Materials:**

- Metal Parts: Steel
- Resilient Element: Neoprene

**Operating Temperature:**

- -20°F to 180°F

**Natural Frequency:**

- 10 to 20 Hz

**Transmissibility at Resonance:**

- 10 Max

**Weight:**

- VAB1: 1.5 oz
- VAB2: 5 oz
- VAB3: 11 oz
- VAB4: 1 lb 7.5 oz
- VAB5: 2 lb 14 oz

Part Number	Maximum Recommended Static Load Rating (lbs.)		Natural Frequency and Plate Thickness				Bolt Data	
	Axial	Radial	Natural Frequency (Hz)	Thick Plate (in)	Natural Frequency (Hz)	Thin Plate (in)	Bolt Size	Bolt Grade
VAB1-N01	40	20	15	0.375	N/A	N/A	0.375	5
VAB1-N02	90	30						
VAB1-N03	140	40						
VAB1-N04	250	50						
VAB1-N05	300	60						
VAB2-N01	130	50	12	0.563	15	0.500	0.500	8
VAB2-N02	175	65						
VAB2-N03	240	90						
VAB2-N04	380	165						
VAB2-N05	630	280						
VAB3-N01	210	90	11	0.875	15	0.750	0.625	8
VAB3-N02	350	140						
VAB3-N03	490	225						
VAB3-N04	860	385						
VAB3-N05	1330	690						
VAB4-N01	270	135	10	1.125	15	1.000	0.875	8
VAB4-N02	510	230						
VAB4-N03	770	345						
VAB4-N04	1170	590						
VAB4-N05	2100	975						
VAB5-N01	1140	240	10	1.250	15	1.000	1.000	8
VAB5-N02	1930	340						
VAB5-N03	2580	610						
VAB5-N04	3540	890						
VAB5-N05	4560	1410						

**Table 4: Performance Characteristics**